

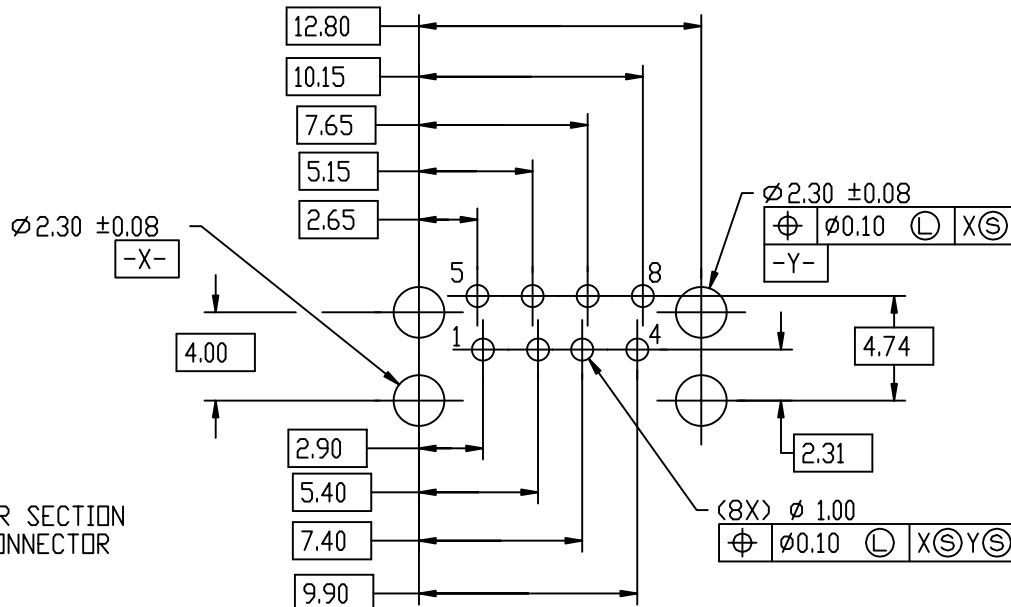
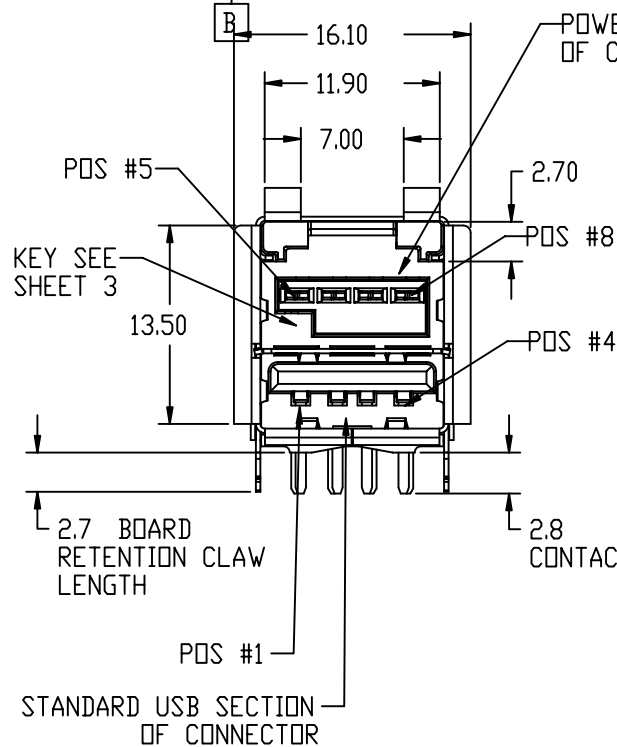
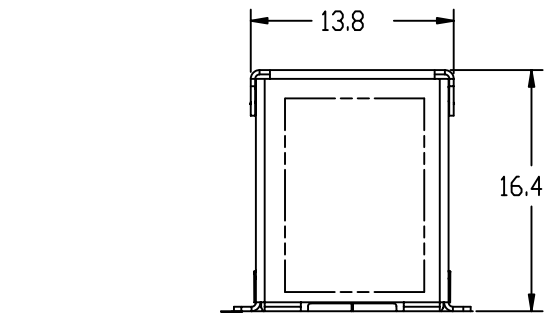
Tous droits strictement réservés. Reproduction ou communication a des tiers interdite sous quelque forme que ce soit sans autorisation écrite du propriétaire de c FCI. Droits de reproduction FCI.

A FCI

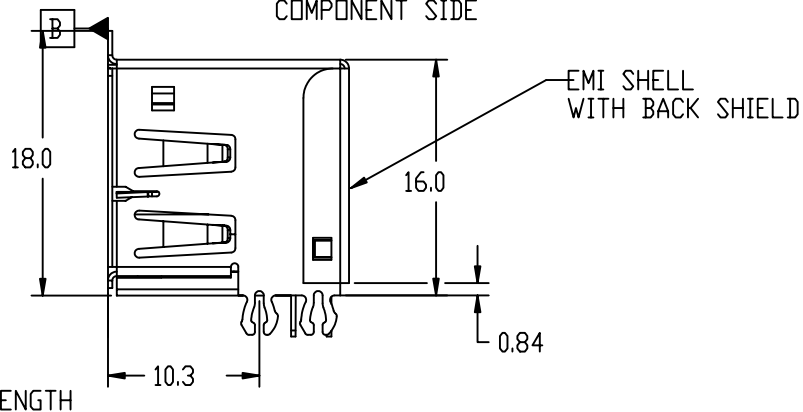
All rights strictly reserved. Reproduction or issue to third parties in any form whatever is not permitted without written authority from the proprietor. Property of FCI. Copyright FCI.

PRODUCT NUMBER
SEE TABLE

SEE SHEET 3 FOR KEYING OPTIONS



RECOMMENDED PC DIMENSIONS
COMPONENT SIDE



mat'l code				tolerances unless otherwise specified		CUSTOMER		FCI	
lir	ecm no.	dr	date	hour	0.X ± 0.3	CDPY	projection	title	www.fciconnect.com
A	V02265	RJR	9/22/00		0.XX ± 0.20			USB+POWER	
B	T03-0023	WL	01/24/03		.XXX ± 0.100			RECEPTACLE ASSEMBLY	
C	T04-0052	WL	02/05/04	angles	0° ± 2°				
D	T04-0058	WL	02/10/04	dr	R.RINEHART 9/22/00			product family	USB
E	T04-0098	WL	03/05/04	enrg	R.MACMULLIN 9/22/00			size	213
F	N04-0098	PH	11/19/04	chr	R.MACMULLIN 9/22/00			dwg no	55917
G	V04-1160	PH	12/07/04	appd	R.MACMULLIN 9/22/00			sheet	1 of 3
sheet	revision	G	A	G					
index	sheet	1	2	3					

PDM: Rev:G

STATUS: Released

Printed: Dec 15, 2004

cage code 22526

Pro/E

3

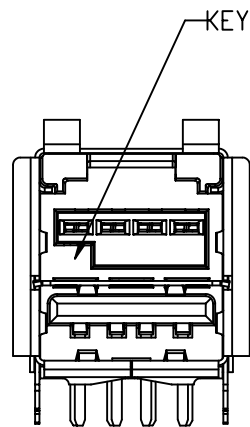
4

Tous droits strictement réservés. Reproduction ou communication a des tiers interdite sous quelque forme que ce soit sans autorisation écrite du propriétaire de c FCI. Droits de reproduction FCI.

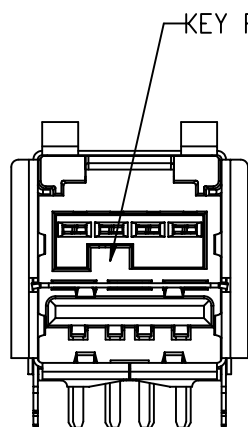


All rights strictly reserved. Reproduction or issue to third parties in any form whatever is not permitted without written authority from the proprietor. Property of FCI. Copyright FCI.

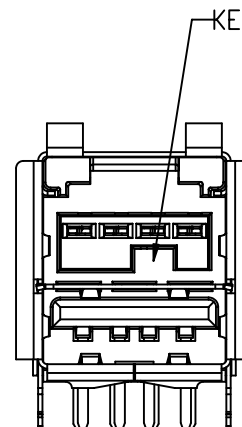
PRODUCT NUMBER
SEE TABLE



55917-10X
KEY POSITION 1



55917-20X
KEY POSITION 2



55917-30X
KEY POSITION 3

ABOVE ASSEMBLIES ARE SHOWN ONLY FOR KEY INFORMATION, FOR ASSEMBLY INFORMATION AND DIMENSIONS SEE PREVIOUS SHEETS

nat'l code				-		tolerances unless otherwise specified		CUSTOMER		ELECTRONICS www.fciconnect.com	
lir	ec'n no.	dr	date	linear	0.X ± 0.3	CDPY		projection		title	
A				angles	0.XX ± 0.20					USB+POWER RECEPTACLE ASSEMBLY	
				dr	.XXX ± 0.100	MM		product family		code	
				engr	0° ± 2°	scale		USB		213	
				chr	R.RINEHART 9/22/00	3:1		size		sheet	
				appd	R.MACMULLIN 9/22/00			A		2	
sheet		revision									
Index		sheet									

cage code 22526

PDM: Rev:G

STATUS: Released

Printed: Dec 15, 2004

Tous droits strictement réservés. Reproduction ou communication a des tiers interdite sous quelque forme que ce soit sans autorisation écrite du propriétaire de c FCI. Droits de reproduction FCI.



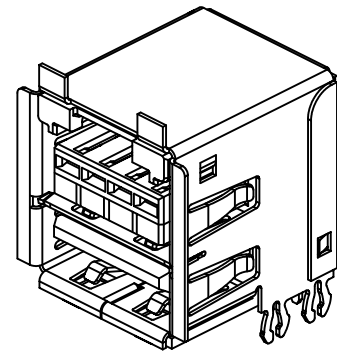
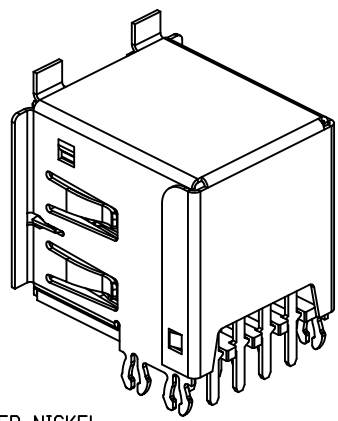
All rights strictly reserved. Reproduction or issue to third parties in any form whatever is not permitted without written authority from the proprietor. Property of FCI. Copyright FCI.

1 | 2

3 |

4

PRODUCT NUMBER	DESCRIPTION	VOLTAGE	HOUSING COLOR
55917-100/500LF	RECPT. ASS'Y. KEY POSITION 1	12V	BLACK
55917-101/501LF	RECPT. ASS'Y. KEY POSITION 1	12V	TEAL
55917-200/600LF	RECPT. ASS'Y. KEY POSITION 2	24V	BLACK
55917-201/601LF	RECPT. ASS'Y. KEY POSITION 2	24V	RED
55917-300/700LF	RECPT. ASS'Y. KEY POSITION 3	5V	NATURAL



NOTES:

- MATERIAL:
HOUSINGS: HIGH TEMP ENGINEERING PLASTIC UL 94V-0
SHIELDS: HIGH STRENGTH COPPER ALLOY, PLATING: TIN/LEAD OR TIN OVER NICKEL
TERMINALS: HIGH STRENGTH COPPER ALLOY, PLATING: NICKEL UNDERPLATING CONTACT AREA; 30 GXT MIN
TAIL AREA; TIN/LEAD OR MATTE TIN
- DIMENSIONS AND TOLERANCES ARE IN ACCORDANCE WITH ASME Y14.5M, 1994.
- USB SECTION CONFORMS TO USB 2.0 SPECIFICATION.
- MATING SEQUENCE WHEN MATED WITH USB+POWER PLUG
PRODUCT NUMBER 74233-XXX
- CURRENT RATING IS 1.5 AMP PER CONTACT FOR THE STANDARD USB SECTION AND 3 AMPS PER CONTACT FOR THE POWER SECTION WITH ALL CONTACTS POWER, SEE GS-12-130 FOR PRODUCT TEST AND PERFORMANCE INFORMATION.
- P/N'S WITH SUFFIX "LF" ARE LEAD FREE P/N'S
- FOR LEAD FREE P/N, THE PRODUCT MEET EUROPEAN UNION DIRECTIVES AND OTHER COUNTRY REGULATION AS DESCRIBED IN GS-22-008

- THE HOUSING WILL WITHSTAND EXPOSURE TO 260°C PEAK TEMPERATURE FOR 40 SECONDS IN A CONVECTION, INFRARED OR VAPOR PHASE REFLOW OVEN.
- THIS PRODUCT IS MADE UNDER LICENSE OF IBM U.S. PATENT NO. 6334793

CONTACT NUMBER	PRODUCT DASH NUMBER 55917-			MATING SEQ.
	-10X/50XLF	-20X/60XLF	-30X/70XLF	
1	VCC	VCC	VCC	2
2	- DATA	- DATA	- DATA	3
3	+ DATA	+ DATA	+ DATA	3
4	GROUND	GROUND	GROUND	2
5	12V GROUND	24V GROUND	5V GROUND	2
6	12V	24V	5V	3
7	12V	24V	5V	3
8	12V GROUND	24V GROUND	5V GROUND	2
SHELL	SHIELD	SHIELD	SHIELD	1

mat'l code				tolerances unless otherwise specified		CUSTOMER		ELECTRONICS	
lir	ecm no.	dr	date	linear	0.X ± 0.3	COPY		www.fciconnect.com	
G				angles	0.XX ± 0.20	projection		title	
				dr	.XXX ± 0.100	MM		USB+POWER RECEPTACLE ASSEMBLY	
				enr	0° ± 2°	scale		product family	
				chr		1:1		USB	
				appd				code	
sheet	revision							213	
index	sheet							55917	
								3	

1 | 2

3 |

4

Pro/E

cage code 22526