

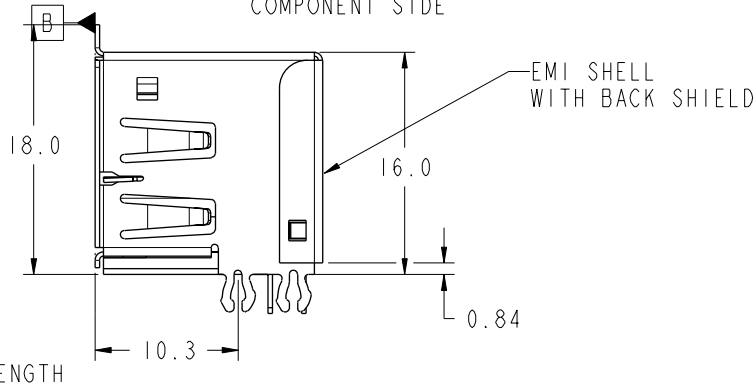
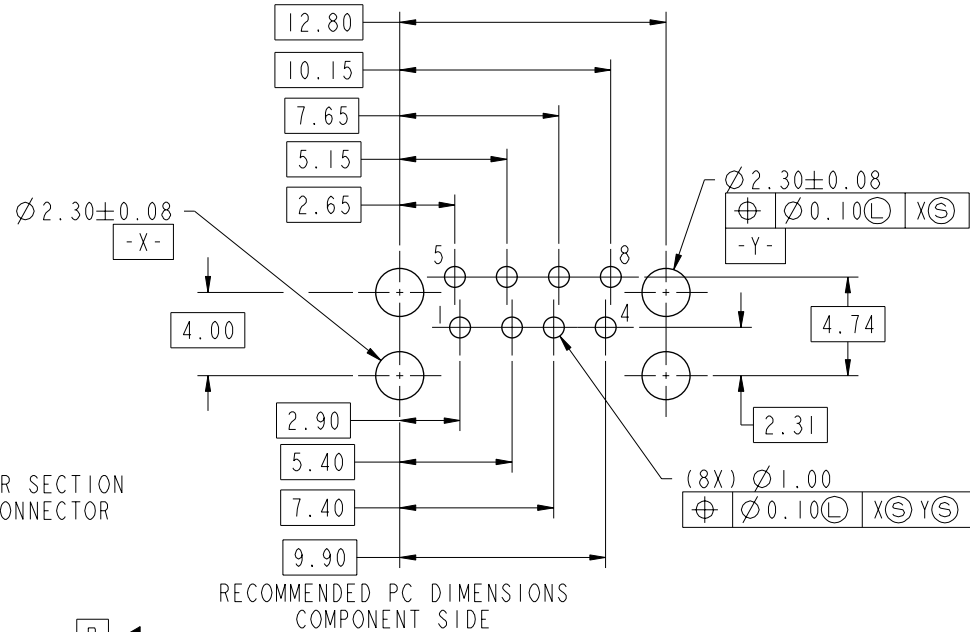
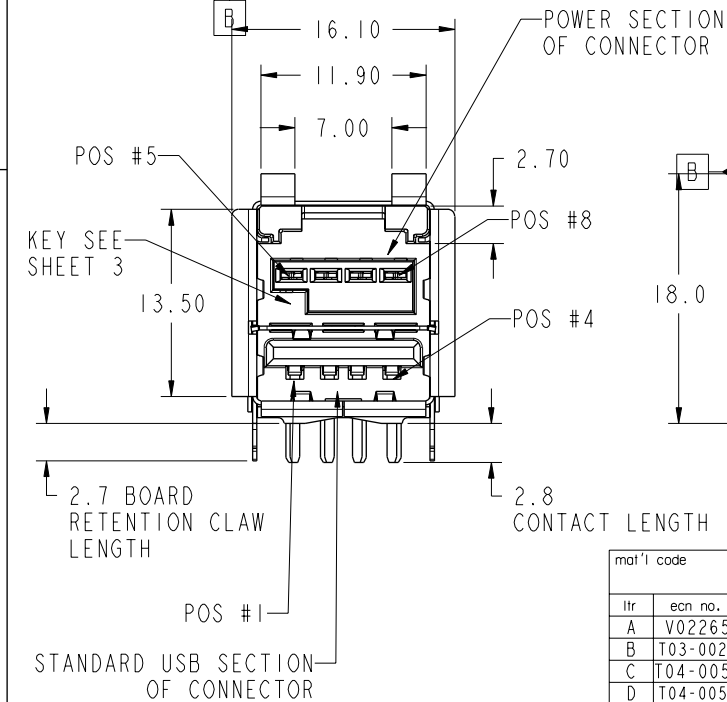
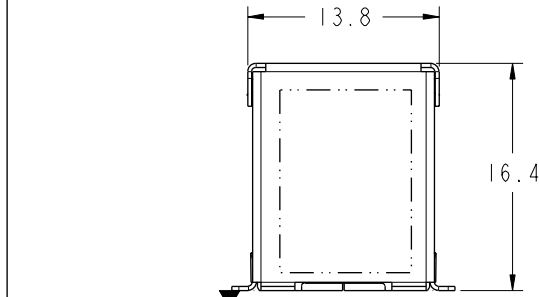
Tous droits strictement reserves. Reproduction ou communication a des tiers interdite sous quelque forme que ce soit sans autorisation écrite du propriétaire. Propriete de c FCI. Droits de reproduction FCI.

All rights strictly reserved. Reproduction or issue to third parties in any form whatever is not permitted without written authority from the proprietor. Property of FCI. Copyright FCI.



PRODUCT NUMBER
SEE TABLE

SEE SHEET 3 FOR KEYING OPTIONS



mat'l code				tolerances unless otherwise specified		CUSTOMER	FCI ELECTRONICS		
ltr	ecn no.	dr	date	linear	0.X ± 0.3	COPY	www.fciconnect.com		
A	V02265	RJR	9/22/00		0.XX ± 0.20	projection	title USB+POWER RECEPTACLE ASSEMBLY		
B	T03-0023	WL	01/24/03		.XXX ± 0.100		product family USB code 213		
C	T04-0052	WL	02/05/04	angles	0° ± 2°		size A	dwg no 55917	sheet 1 of 3
D	T04-0058	WL	02/10/04	dr	R. RINEHART 9/22/00		scale 3:1		
				enr	R. MACMULLIN 9/22/00		cage code 22526		
				chr	R. MACMULLIN 9/22/00				
				appd	R. MACMULLIN 9/22/00				
sheet index	revision sheet	D 1	A 2	D 3					

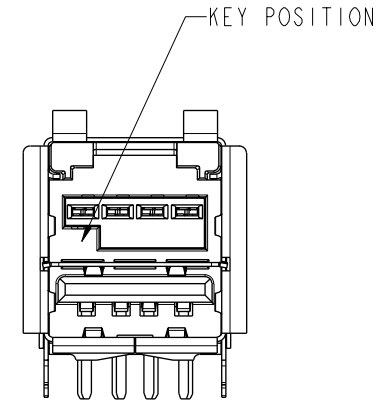
Pro/E

cage code 22526

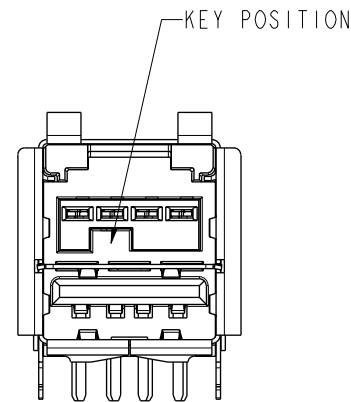
Tous droits strictement reserves. Reproduction ou communication a des tiers interdite sous quelque forme que ce soit sans autorisation écrite du propriétaire. Propriete de c FCI. Droits de reproduction FCI.

All rights strictly reserved. Reproduction or issue to third parties in any form whatever is not permitted without written authority from the proprietor. Property of FCI. Copyright FCI.

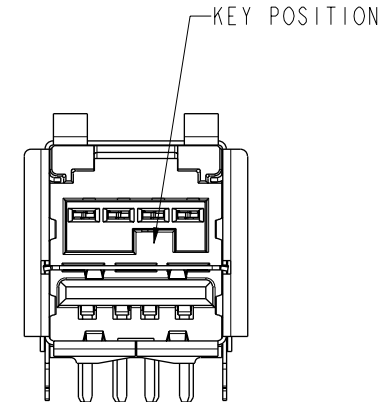
PRODUCT NUMBER
SEE TABLE



55917-10X
KEY POSITION 1



55917-20X
KEY POSITION 2



55917-30X
KEY POSITION 3

ABOVE ASSEMBLIES ARE SHOWN ONLY FOR
KEY INFORMATION, FOR ASSEMBLY INFORMATION
AND DIMENSIONS SEE PREVIOUS SHEETS

mat'l code				tolerances unless otherwise specified		CUSTOMER		ELECTRONICS	
ltr	ecn no.	dr	date	linear	0.X ±0.3	COPY		www.fciconnect.com	
A					0.XX ±0.20	projection		title	
				angles	.XXX ±0.100			USB+POWER RECEPTACLE ASSEMBLY	
				dr	0° ±2°	MM		product family	
				enrg	R. RINEHART 9/22/00	scale		USB	
				chr	R. MACMULLIN 9/22/00	3:1		code	
				appd	R. MACMULLIN 9/22/00	A		213	
sheet index		revision sheet						size	
								dwg no	
								55917	
								sheet	
								2	

cage code 22526

Pro/E

Tous droits strictement reserves. Reproduction ou communication a des tiers interdite sous quelque forme que ce soit sans autorisation écrite du propriétaire. Propriete de c FCI. Droits de reproduction FCI.

All rights strictly reserved. Reproduction or issue to third parties in any form whatever is not permitted without written authority from the proprietor. Property of FCI. Copyright FCI.

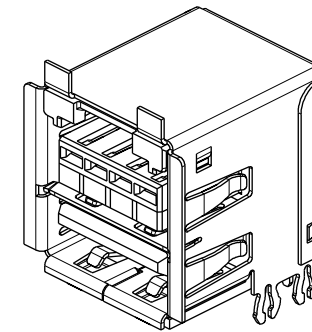
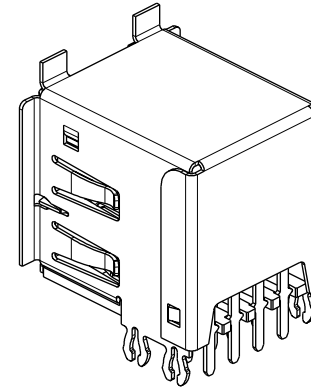


PRODUCT NUMBER	DESCRIPTION	VOLTAGE	HOUSING COLOR
55917-100	RECPT. ASS'Y. KEY POSITION 1	12V	BLACK
55917-101	RECPT. ASS'Y. KEY POSITION 1	12V	TEAL
55917-200	RECPT. ASS'Y. KEY POSITION 2	24V	BLACK
55917-201	RECPT. ASS'Y. KEY POSITION 2	24V	RED
55917-300	RECPT. ASS'Y. KEY POSITION 3	5V	NATURAL

NOTES:

- MATERIAL:
HOUSINGS: HIGH TEMP ENGINEERING PLASTIC UL 94V-0
SHIELDS: HIGH STRENGTH COPPER ALLOY, PLATING: TIN/LEAD OVER NICKEL
TERMINALS: HIGH STRENGTH COPPER ALLOY, PLATING: NICKEL UNDERPLATING
CONTACT AREA; 30 GXT MIN
TAIL AREA; TIN/LEAD
- DIMENSIONS AND TOLERANCES ARE IN ACCORDANCE WITH) ASME Y14.5M, 1994.
- USB SECTION CONFORMS TO USB 2.0 SPECIFICATION.
- MATING SEQUENCE WHEN MATED WITH USB+POWER PLUG
PRODUCT NUMBER 74233-XXX

CONTACT NUMBER	PRODUCT DASH NUMBER 55917-			MATING SEQ.
	-10X	-20X	-30X	
1	VCC	VCC	VCC	2
2	- DATA	- DATA	- DATA	3
3	+ DATA	+ DATA	+ DATA	3
4	GROUND	GROUND	GROUND	2
5	12V GROUND	24V GROUND	5V GROUND	2
6	12V	24V	5V	3
7	12V	24V	5V	3
8	12V GROUND	24V GROUND	5V GROUND	2
SHELL	SHIELD	SHIELD	SHIELD	1



mat'l code		tolerances unless otherwise specified		CUSTOMER	 ELECTRONICS www.fciconnect.com
ltr	ecn no.	dr	date	COPY	
D				projection	title
				linear	USB+POWER RECEPTACLE ASSEMBLY
				angles	product family
				0° ±2°	USB
				dr	code
				enr	213
				chr	sheet
				appd	3
				scale	
				1:1	
sheet index	revision sheet				

Pro/E

cage code 22526