

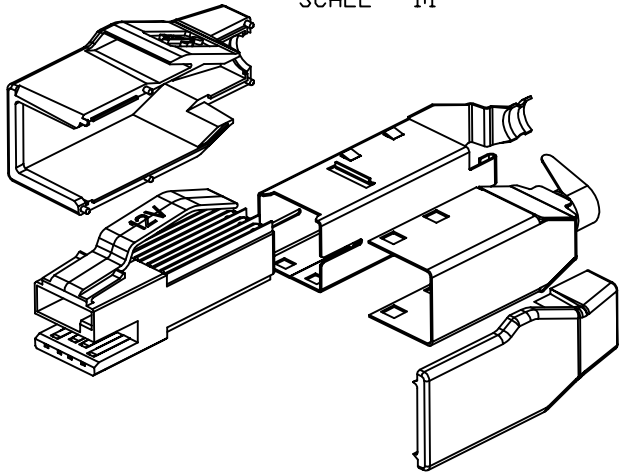
Tous droits strictement réservés. Reproduction ou communication a des tiers interdite sous quelque forme que ce soit sans autorisation écrite du propriétaire de c FCI. Droits de reproduction FCI.



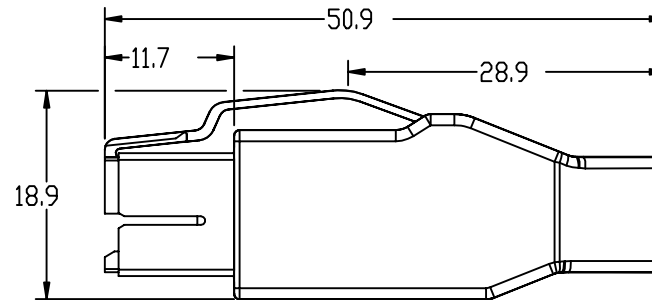
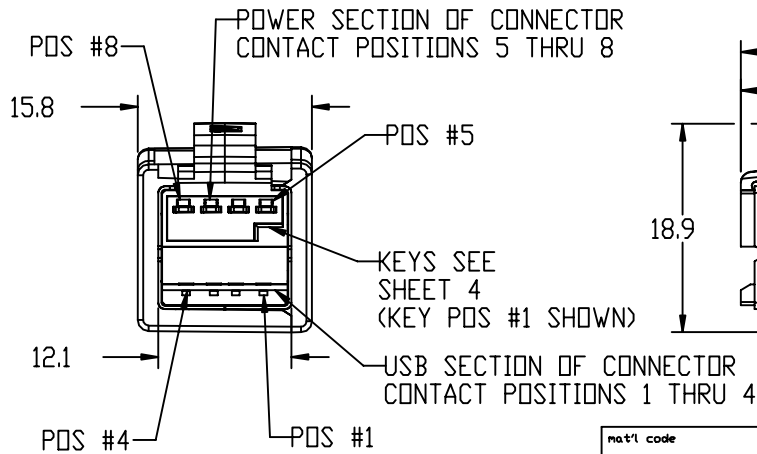
All rights strictly reserved. Reproduction or issue to third parties in any form whatever is not permitted without written authority from the proprietor. Property of FCI. Copyright FCI.

PRODUCT NUMBER
SEE TABLE

KIT PARTS
SCALE 1:1



12 VOLT KEY POSITION SHOWN SEE ADDITIONAL SHEETS FOR OTHER KEYING OPTIONS



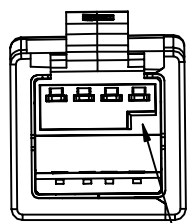
MATERIALS	SPECIFICATIONS
SHELLS	HIGH STRENGTH COPPER ALLOY
HOUSINGS	THERMOPLASTIC UL94V-0 RATED
TERMINALS	HIGH STRENGTH COPPER ALLOY
COVERS	THERMOPLASTIC UL94V-0 RATED PEBBLE GRAY
PLATING	
SHELL	UNDERPLATE; 40 MICROINCHES NI 100 MICROINCHES MIN TIN/LEAD OR BRIGHT TIN (NOTE 4)
TERMINALS	UNDERPLATE; 40 MICROINCHES NI CONTACT AREA; 30 MICROINCHES GXT TAIL AREA; 100 MICROINCHES TIN/LEAD OR MATTED TIN (NOTE 4)
ELECTRICAL	
VOLTAGE RATING	USB;5.25VDC,+POWER;12VDC,24VDC,5VDC
DIELECTRIC WITHSTANDING VOLTAGE	750 VAC
INSUL. RESISTANCE	1000 MEG OHMS AT 500 VDC
CURRENT RATING(NOTE 1)	1.50A USB SECTION 3.00A POWER SECTION

SEE TABLE				tolerances unless otherwise specified		CUSTOMER		FCI	
nat'l code						COPY		www.fciconnect.com	
ltr	ec'n no.	dr	date	linear	.X ± .3	projection		title	
J	N04-0069	PH	10/18/04		.XX ± .13	⊕		USB+POWER PLUG KIT ASSEMBLY	
K	N05-0255	PH	09/09/05		.XXX ± .051	⊕		product family	
K2	N08-****	Bobby SJ	06/12/08	angles	0° ± 2°	MM		USB	
F	V02279	RJR	12/19/00	dr	P. HSU 10/6/97	←		code	
G	T03-0023	WL	01/24/03	enrg	R. MACMULLIN 10/6/97	→		213	
H	T04-0099	WL	03/05/04	chr	R. MACMULLIN 10/6/97	scale		size	
				appd	R. MACMULLIN 10/6/97	1:1		74233	
sheet	revision							1 of 3	
index	sheet								

cage code 22526

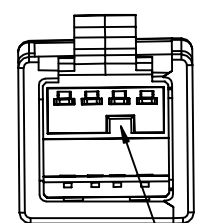
PRODUCT NUMBER
SEE TABLE

12V KEY POSITION
SCALE 3:2



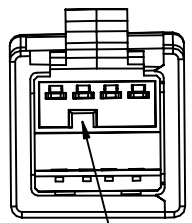
KEY POS. 1

24 KEY POSITION
SCALE 3:2



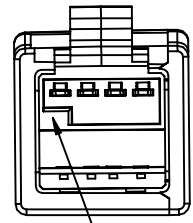
KEY POS. 2

5V KEY POSITION
SCALE 3:2



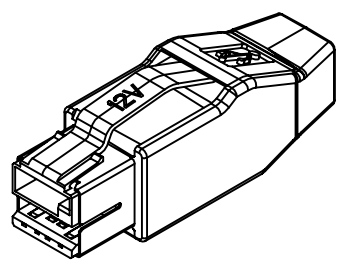
KEY POS. 3

UNASSIGNED KEY
SCALE 3:2

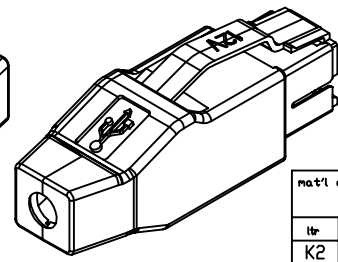


KEY POS. 4

ABOVE ASSEMBLIES ARE SHOWN ONLY FOR
KEY INFORMATION, FOR ASSEMBLY INFORMATION
AND DIMENSIONS SEE PREVIOUS SHEETS



SCALE 1:1



SCALE 1:1

NOTES:

- CURRENT AS LISTED IS AMPS PER CONTACT WITH ALL CONTACTS POWER.
- DIMENSIONS AND TOLERANCES ARE IN ACCORDANCE WITH ASME Y14.5M, 1994.
- MATING SEQUENCE WHEN MATED WITH USB+POWER RECEPTACLE PRODUCT NUMBER 55917-XXX.
- PRODUCT NUMBER 74233-XXX LF
 WITH "LF" MARK, TERMINAL AND SHELL PLATING IS TIN
 WITHOUT "LF" MARK, TERMINAL AND SHELL PLATING IS TIN/LEAD
 LEAD FREE OPTION
- PACKING STANDARD GS-14-920 WILL BE APPLIED FOR LEAD FREE P/N'S
- FOR LEAD FREE P/N, THE PRODUCT MEET EUROPEAN UNION DIRECTIVES AND OTHER COUNTRY REGULATION AS DESCRIBED IN GS-22-008
- FOR LEAD FREE P/N, THE HOUSING WILL WITHSTAND EXPOSURE TO 260°C PEAK TEMPERATURE FOR 40 SECONDS IN A CONVECTION, INFRO-RED OR VAPOR PHASE REFLOW OVEN.

Tous droits strictement reserves. Reproduction ou communication a des tiers interdite sous quelque forme que ce soit sans autorisation écrite du proprietaire de c FCI. Droits de reproduction FCI.



All rights strictly reserved. Reproduction or issue to third parties in any form whatever is not permitted without written authority from the proprietor. Property of FCI. Copyright FCI.

nat'l code		SEE TABLE		tolerances unless otherwise specified		CUSTOMER		FCI		www.fciconnect.com	
ltr	ecn no.	dr	date	linear	.X ± .3	COPY		projection		title	
K2					.XX ± .13	MM		A		USB+POWER PLUG KIT ASSEMBLY	
				angles	.XXX ± .051	scale		2:1		product family	
				dr	0° ± 2°	A		A		USB	
				engr	P. HSU 10/6/97	size		74233		code	
				chr	R. MACMULLIN 10/6/97	sheet		2 of 3		213	
				appd	R. MACMULLIN 10/6/97	sheet		2 of 3		2 of 3	
sheet	revision					cage code		22526		8	
index	sheet										

Tous droits strictement réservés. Reproduction ou communication à des tiers interdite sous quelque forme que ce soit sans autorisation écrite du propriétaire de c FCI. Droits de reproduction FCI.



All rights strictly reserved. Reproduction or issue to third parties in any form whatever is not permitted without written authority from the proprietor. Property of FCI. Copyright FCI.

PRODUCT NUMBER(NOTE 4)	DESCRIPTION	VOLTAGE	COLOR	CABLE OD	CURRENT RATING	REMARK
74233-100	KEY POSITION 1	12V	TEAL	5.80±0.25	3 AMPS	NON LEAD FREE PART , NOT AVAILABLE
74233-100LF	KEY POSITION 1	12V	TEAL	5.80±0.25	3 AMPS	LEAD FREE PART, SUBSTITUTE OF 74233-100
74233-101	KEY POSITION 1	12V	TEAL	5.10±0.25	3 AMPS	NON LEAD FREE PART , NOT AVAILABLE
74233-101LF	KEY POSITION 1	12V	TEAL	5.10±0.25	3 AMPS	LEAD FREE PART, SUBSTITUTE OF 74233-101
74233-102	KEY POSITION 1	12V	TEAL	6.60±0.25	3 AMPS	NON LEAD FREE PART , NOT AVAILABLE
74233-102LF	KEY POSITION 1	12V	TEAL	6.60±0.25	3 AMPS	LEAD FREE PART, SUBSTITUTE OF 74233-102
74233-200	KEY POSITION 2	24V	RED	5.80±0.25	3 AMPS	NON LEAD FREE PART , NOT AVAILABLE
74233-200LF	KEY POSITION 2	24V	RED	5.80±0.25	3 AMPS	LEAD FREE PART, SUBSTITUTE OF 74233-200
74233-201	KEY POSITION 2	24V	RED	5.10±0.25	3 AMPS	NON LEAD FREE PART , NOT AVAILABLE
74233-201LF	KEY POSITION 2	24V	RED	5.10±0.25	3 AMPS	LEAD FREE PART, SUBSTITUTE OF 74233-201
74233-211	KEY POSITION 2	48V	RED	5.10±0.25	3 AMPS	NON LEAD FREE PART , NOT AVAILABLE
74233-211LF	KEY POSITION 2	48V	RED	5.10±0.25	3 AMPS	LEAD FREE PART, SUBSTITUTE OF 74233-211
74233-202	KEY POSITION 2	24V	RED	6.60±0.25	3 AMPS	NON LEAD FREE PART , NOT AVAILABLE
74233-202LF	KEY POSITION 2	24V	RED	6.60±0.25	3 AMPS	LEAD FREE PART, SUBSTITUTE OF 74233-202
74233-300	KEY POSITION 3	5V	*NATURAL	5.80±0.25	3 AMPS	NON LEAD FREE PART , NOT AVAILABLE
74233-300LF	KEY POSITION 3	5V	*NATURAL	5.80±0.25	3 AMPS	LEAD FREE PART, SUBSTITUTE OF 74233-300
74233-301	KEY POSITION 3	5V	*NATURAL	5.10±0.25	3 AMPS	NON LEAD FREE PART , NOT AVAILABLE
74233-301LF	KEY POSITION 3	5V	*NATURAL	5.10±0.25	3 AMPS	LEAD FREE PART, SUBSTITUTE OF 74233-301
74233-302	KEY POSITION 3	5V	*NATURAL	6.60±0.25	3 AMPS	NON LEAD FREE PART , NOT AVAILABLE
74233-302LF	KEY POSITION 3	5V	*NATURAL	6.60±0.25	3 AMPS	LEAD FREE PART, SUBSTITUTE OF 74233-302

CONTACT NUMBER	PRODUCT DASH NUMBER			
	-1XX	-2XX	-3XX	MATING SEQ.
1	VCC	VCC	VCC	2
2	- DATA	- DATA	- DATA	3
3	+ DATA	+ DATA	+ DATA	3
4	GROUND	GROUND	GROUND	2
5	12V GROUND	24V GROUND	5V GROUND	2
6	12V	24V	5V	3
7	12V	24V	5V	3
8	12V GROUND	24V GROUND	5V GROUND	2
SHELL	SHIELD	SHIELD	SHIELD	1

* NATURAL COLOR IS CREAM OFF WHITE

nat'l code		SEE TABLE		tolerances unless otherwise specified		CUSTOMER		FCI	
lit	ecm no.	dr	date	linear	.X ± .3	COPY		www.fciconnect.com	
K2					.XX ± .13	projection		title	
				angles	.XXX ±.051			USB+POWER PLUG KIT ASSEMBLY	
				dr	0° ±2°	MM		product family	
				engr	P. HSU 10/6/97	scale		USB	
				chr	R. MACMULLIN 10/6/97	N/A		code	
				appd	R. MACMULLIN 10/6/97	A		213	
sheet	revision							size	
index	sheet							dwg no	
								74233	
								3 of 3	