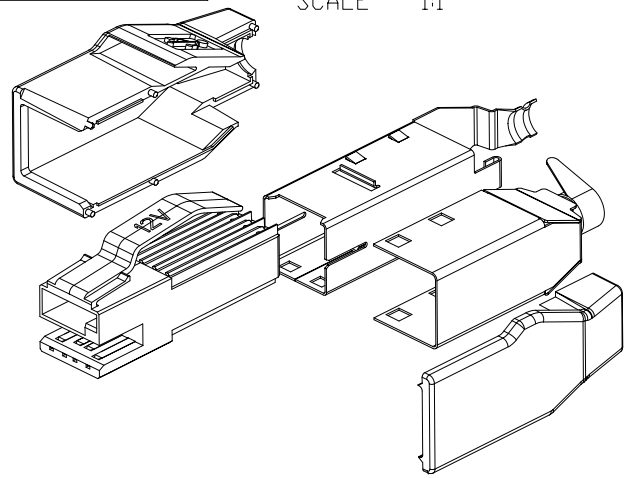


Tous droits strictement réservés. Reproduction ou communication a des tiers interdite sous quelque forme que ce soit sans autorisation écrite du propriétaire. Propriété de c FCI. Droits de reproduction FCI.

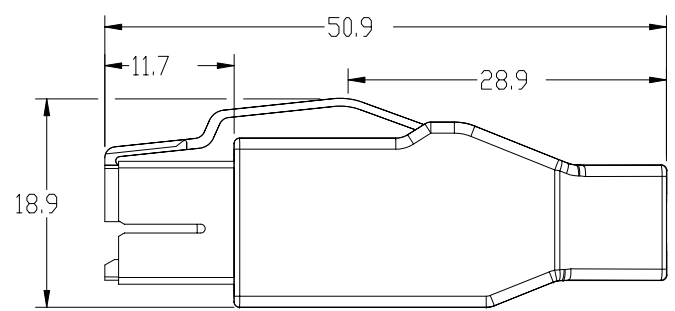
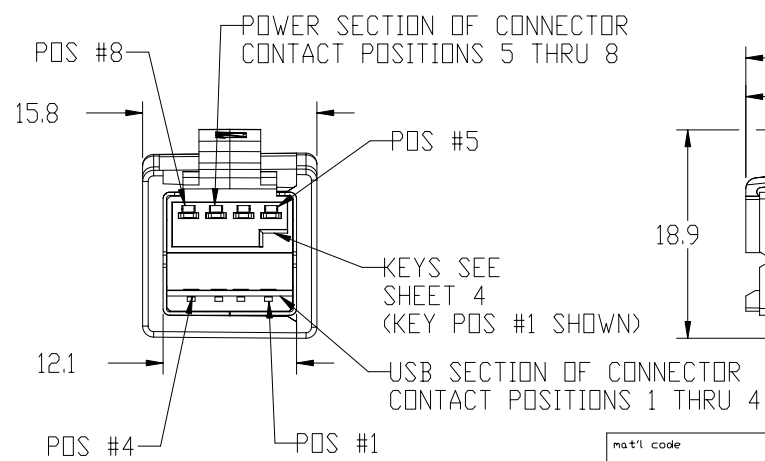
All rights strictly reserved. Reproduction or issue to third parties in any form whatever is not permitted without written authority from the proprietor. Property of FCI. Copyright FCI.

PRODUCT NUMBER
SEE TABLE

KIT PARTS
SCALE 1:1



12 VOLT KEY POSITION SHOWN SEE ADDITIONAL SHEETS FOR OTHER KEYING OPTIONS



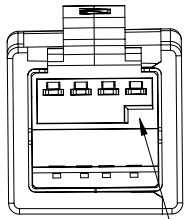
MATERIALS	SPECIFICATIONS
SHELLS	HIGH STRENGTH COPPER ALLOY
HOUSINGS	THERMOPLASTIC UL94V-0 RATED
TERMINALS	HIGH STRENGTH COPPER ALLOY
COVERS	THERMOPLASTIC UL94V-0 RATED PEBBLE GRAY
PLATING	
SHELL	UNDERPLATE; 40 MICROINCHES NI 100 MICROINCHES MIN TIN/LEAD OR BRIGHT TIN (NOTE 4)
TERMINALS	UNDERPLATE; 40 MICROINCHES NI CONTACT AREA; 30 MICROINCHES GXT TAIL AREA; 100 MICROINCHES TIN/LEAD OR MATTED TIN (NOTE 4)
ELECTRICAL	
VOLTAGE RATING	USB;5.25VDC,+POWER;12VDC,24VDC,5VDC
DIELECTRIC WITHSTANDING VOLTAGE	750 VAC
INSUL. RESISTANCE	1000 MEG OHMS AT 500 VDC
CURRENT RATING(NOTE 1)	1.50A USB SECTION 3.00A POWER SECTION

mat'l code				SEE TABLE		tolerances unless otherwise specified		CUSTOMER		ELECTRONICS www.fciconnect.com	
ltr	ecn no.	dr	date	linear	.X ± .3	COPY		projection		title	
J	N04-0069	PH	10/18/04		.XX ± .13	MM				USB+POWER PLUG KIT ASSEMBLY	
					.XXX ± .051	scale				product family	
D	V91371	REM	06/11/99	angles	0° ± 2°	1:1		A		USB	
E	V01062	RJR	06/11/00	dr	P. HSU 10/6/97					code	
F	V02279	RJR	12/19/00	enrg	R. MACMULLIN 10/6/97					213	
G	T03-0023	WL	01/24/03	chr	R. MACMULLIN 10/6/97					sheet	
H	T04-0099	WL	03/05/04	appd	R. MACMULLIN 10/6/97					1 of 3	
sheet	revision	J	J	G							
index	sheet	1	2	3							

cage code 22526

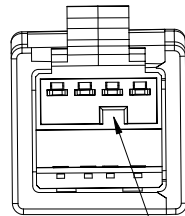
PRODUCT NUMBER
SEE TABLE

12V KEY POSITION
SCALE 3:2



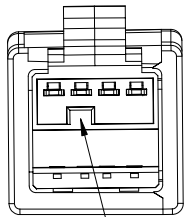
KEY POS. 1

24 KEY POSITION
SCALE 3:2



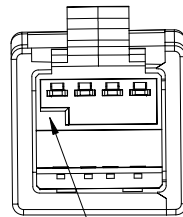
KEY POS. 2

5V KEY POSITION
SCALE 3:2



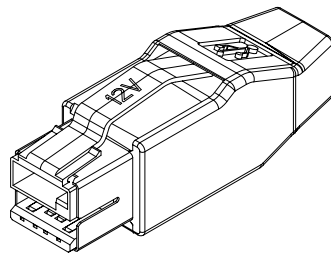
KEY POS. 3

UNASSIGNED KEY
SCALE 3:2

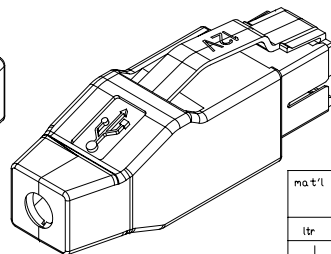


KEY POS. 4

ABOVE ASSEMBLIES ARE SHOWN ONLY FOR KEY INFORMATION, FOR ASSEMBLY INFORMATION AND DIMENSIONS SEE PREVIOUS SHEETS



SCALE 1:1



SCALE 1:1

NOTES:

- CURRENT AS LISTED IS AMPS PER CONTACT WITH ALL CONTACTS POWER.
- DIMENSIONS AND TOLERANCES ARE IN ACCORDANCE WITH ASME Y14.5M, 1994.
- MATING SEQUENCE WHEN MATED WITH USB+POWER RECEPTACLE PRODUCT NUMBER 55917-XXX.
- PRODUCT NUMBER 74233-XXX LF
 WITH "LF" MARK, TERMINAL AND SHELL PLATING IS TIN
 WITHOUT "LF" MARK, TERMINAL AND SHELL PLATING IS TIN/LEAD
- If lead free p/n, a lead free label will appear at packing
- If lead free p/n, the housing will withstand exposure to 260° peak temperature for 40 seconds in a convection, infra-red or vapor phase reflow oven
- If lead free p/n, the product meets the requirements of the European Union Directive of Restrictions for Hazardous Substances (Directive 2002/95/EC) and can be processed in the process conditions for which the product is developed. FCI, its subsidiaries and affiliates ("FCI") provides the above data and information in good faith based upon current knowledge and experience, but makes no warranty that such data or information is free from error, is complete or is sufficient for user's intended purpose EVEN IF MADE KNOWN TO FCI. FCI specifically disclaims any warranty, express or implied, and assumes no liability with respect to the effectiveness or safety of the products listed above. Each user must make its own determination as to the suitability of FCI's products and materials for its own particular purposes, and must assure that its products fabricated from FCI's products and materials are safe and lawful. It is the user's responsibility to assure proper use and disposal of FCI's products and materials, the safety and health of user's employees and customers, and user's compliance with applicable laws and regulations

mat'l code		SEE TABLE		tolerances unless otherwise specified		CUSTOMER		ELECTRONICS www.fciconnect.com	
ltr	ecn no.	dr	date	linear	.X ± .3	projection	title		
J					.XX ± .13		USB+POWER PLUG KIT ASSEMBLY		
					.XXX ± .051		product family	USB	code
				angles	0° ± 2°	MM	size	dwg no	sheet
				dr	P. HSU 10/6/97	scale	A	74233	2 of 3
				enrg	R. MACMULLIN 10/6/97				
				chr	R. MACMULLIN 10/6/97				
				appd	R. MACMULLIN 10/6/97				
sheet	revision								
index	sheet								



A

B

A

B

Tous droits strictement réservés. Reproduction ou communication à des tiers interdite sous quelque forme que ce soit sans autorisation écrite du propriétaire. Propriété de c FCI. Droits de reproduction FCI.



All rights strictly reserved. Reproduction or issue to third parties in any form whatever is not permitted without written authority from the proprietor. Property of FCI. Copyright FCI.

1 | 2

3 |

4

PRODUCT NUMBER (NOTE 4)	DESCRIPTION	VOLTAGE	COLOR	CABLE OD
74233-100/100LF	KEY POSITION 1	12V	TEAL	5.80±0.25
74233-101/101LF	KEY POSITION 1	12V	TEAL	5.10±0.25
74233-102/102LF	KEY POSITION 1	12V	TEAL	6.60±0.25
74233-200/200LF	KEY POSITION 2	24V	RED	5.80±0.25
74233-201/201LF	KEY POSITION 2	24V	RED	5.10±0.25
74233-202/202LF	KEY POSITION 2	24V	RED	6.60±0.25
74233-300/300LF	KEY POSITION 3	5V	*NATURAL	5.80±0.25
74233-301/301LF	KEY POSITION 3	5V	*NATURAL	5.10±0.25
74233-302/302LF	KEY POSITION 3	5V	*NATURAL	6.60±0.25

* NATURAL COLOR IS CREAM OFF WHITE

CONTACT NUMBER	PRODUCT DASH NUMBER			
	-1XX	-2XX	-3XX	MATING SEQ.
1	VCC	VCC	VCC	2
2	- DATA	- DATA	- DATA	3
3	+ DATA	+ DATA	+ DATA	3
4	GROUND	GROUND	GROUND	2
5	12V GROUND	24V GROUND	5V GROUND	2
6	12V	24V	5V	3
7	12V	24V	5V	3
8	12V GROUND	24V GROUND	5V GROUND	2
SHELL	SHIELD	SHIELD	SHIELD	1

A

A

B

B

mat'l code		SEE TABLE		tolerances unless otherwise specified		CUSTOMER		ELECTRONICS www.fciconnect.com	
ltr	ecn no.	dr	date	linear	.X ± .3	COPY		title	
F					.XX ± .13	projection		USB+POWER PLUG KIT ASSEMBLY	
				angles	.XXX ± .051			product family	
				dr	0° ± 2°			USB	
				engr	P. HSU 10/6/97	MM		code	
				chr	R. MACMULLIN 10/6/97	N/A		213	
				appd	R. MACMULLIN 10/6/97	scale		sheet	
						A		3 of 3	
sheet index	revision sheet								

1 | 2

Pro/E

3 |

cage code 22526

4

PDM: Rev:J

STATUS: Released

Printed: Nov 02, 2004