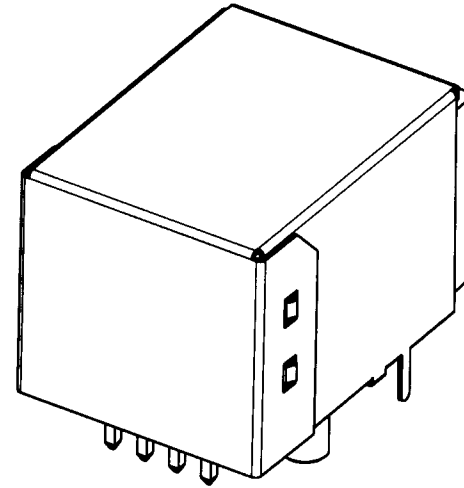
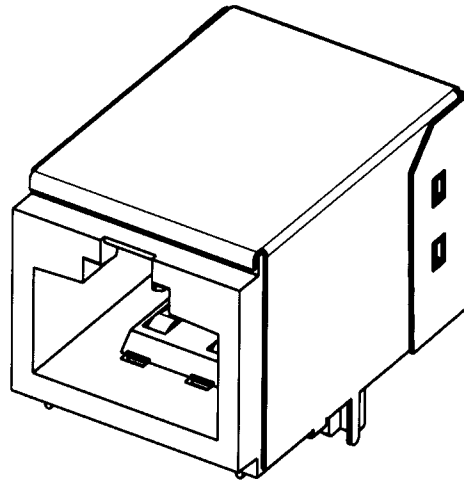


All rights strictly reserved. Reproduction or issue to third parties in any form whatever is not permitted without written authority from the proprietor. Property of FCI. Copyright FCI.



Tous droits strictement reserves. Reproduction ou communication a des tiers interdite sous quelque forme que ce soit sans autorisation écrite du propriétaire. Propriete de c FCI. Droits de reproduction FCI.

PRODUCT NUMBER
74355



mat'l code		SEE NOTES			tolerances unless otherwise specified		CUSTOMER		ELECTRONICS www.fciconnect.com	
lfr	ecn no.	dr	date	linear	XX±.01		COPY		title	
C	V81440	SGM	08/21/98		XXX±.005		projection		2x4 LNL SHIELDED HEADER ASSEMBLY	
D	V82263	RBB	12/29/98		XXX±.0020				product family LATCH-N-LOK code -	
E	V90572	RGD	2/23/99	angles	0°±2°				size dwg no	
F	V90851	RBB	3/26/99	dr	T. DIAMOND	2/24/98	INCH		A 74355	
G	V91906	RGD	11/17/99	enr	B. BRUBAKER	2/24/98	scale		sheet	
H	V00632	TFG	03/06/00	chr	B. BRUBAKER	7/6/98	1:1		1 of 5	
J	V02267	RGD	11/9/00	appd	B. BRUBAKER	7/6/98				
sheet index	revision	J	J	J	J	J				
	sheet	1	2	3	4	5				

Pro/E

3

cage code 22526

4

PDM: Rev:J

STATUS: Released

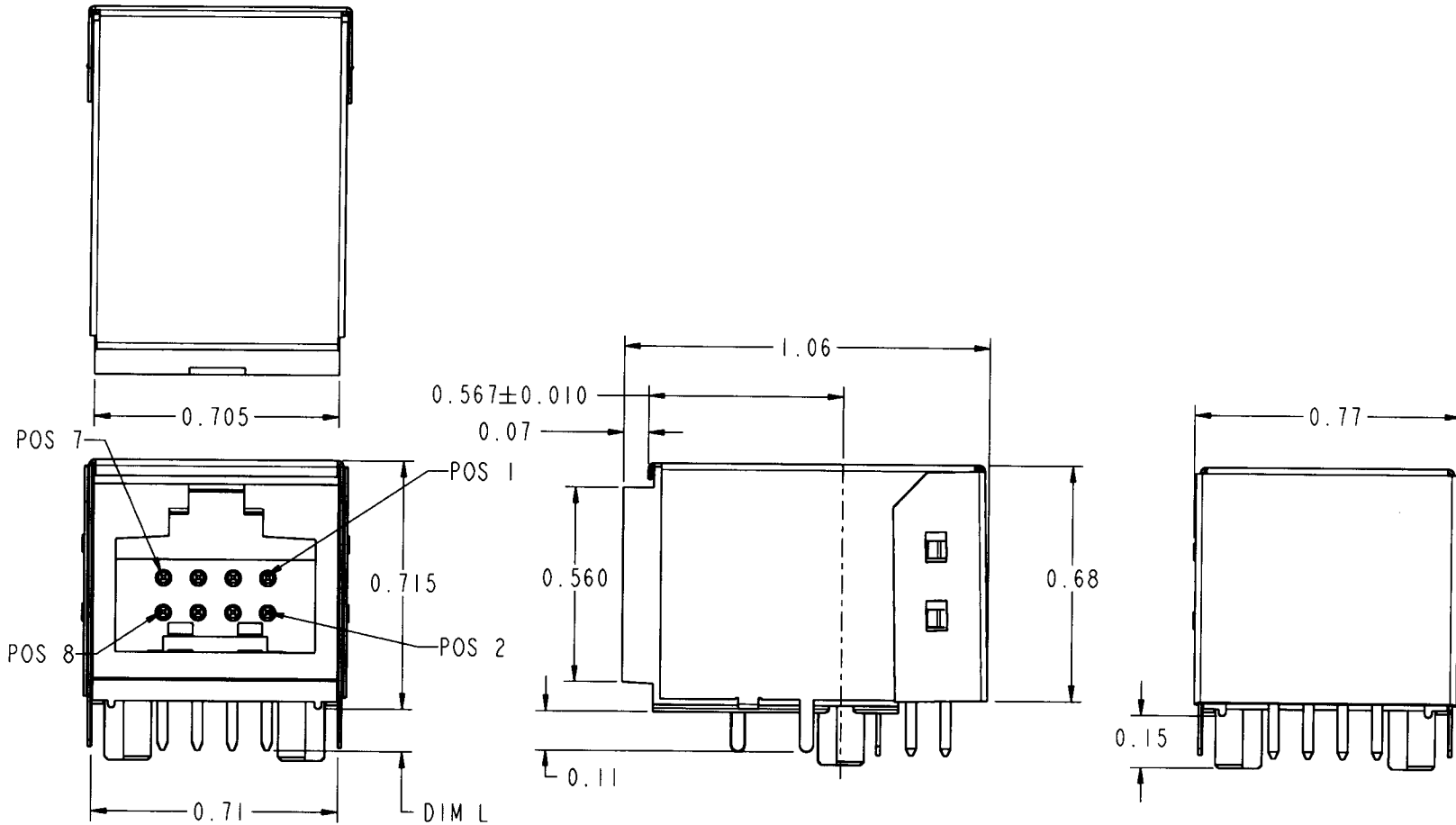
Printed: Jan 08, 2003

Tous droits strictement réservés. Reproduction ou communication a des tiers interdite sous quelque forme que ce soit sans autorisation écrite du propriétaire. Propriété de c FCI. Droits de reproduction FCI.

All rights strictly reserved. Reproduction or issue to third parties in any form whatever is not permitted without written authority from the proprietor. Property of FCI. Copyright FCI.



PRODUCT NUMBER
74355



mat'l code		SEE NOTES		tolerances unless otherwise specified		CUSTOMER COPY		ELECTRONICS www.fciconnect.com	
lfr	ecr no.	dr	date	linear	XX ± .01	projection		title	
J				angles	XXX ± .005			2x4 LNL SHIELDED HEADER ASSEMBLY	
				dr	XXXX ± .0020			product family	LATCH N LOK
				enr	0° ± 2°	scale	2:1	size	dwg no
				chr	T. DIAMOND 2/24/98			A	74355
				appd	B. BRUBAKER 2/24/98				
					B. BRUBAKER 7/6/98				
					B. BRUBAKER 7/6/98				
sheet index	revision sheet								

Pro/E

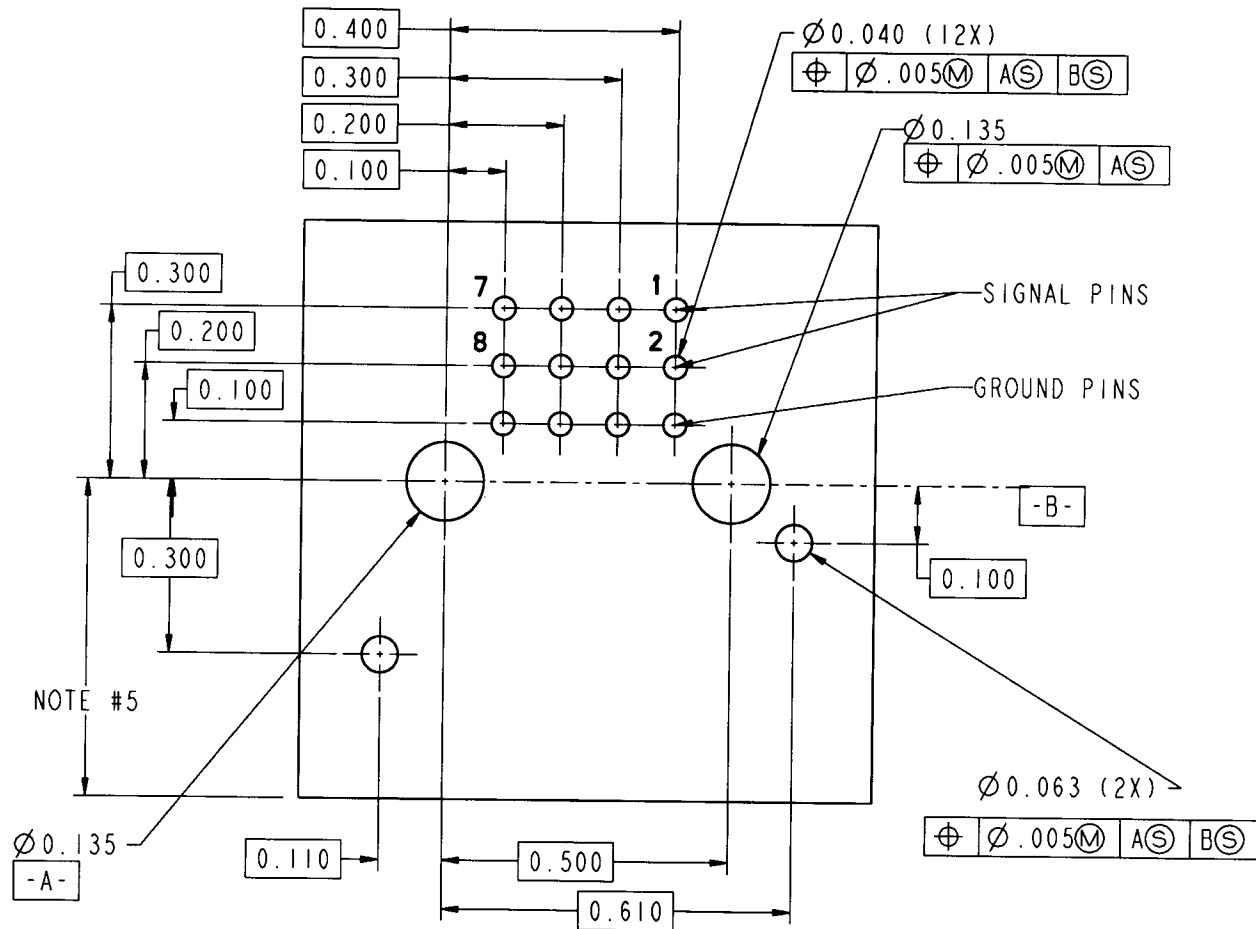
cage code 22526

PDM: Rev:J

STATUS: Released

Printed: Jan 08, 2003

COMPONENT SIDE



NOTE #5

Ø 0.135
-A-

-B-

Ø 0.063 (2X)

mat'l code				SEE NOTE		tolerances unless otherwise specified		CUSTOMER COPY		ELECTRONICS www.fciconnect.com	
ltr	ecn no.	dr	date	linear	.XX ±.01	projection			title		
J					.XXX ±.005		INCH		2X4 LNL SHIELDED HEADER ASSEMBLY		
				angles	.XXX ±.0020		scale		product family	LATCH N LOK	code
					0° ±2°	dr	2:1		size	dwg no	sheet
						enr			A	74355	3 of 5
						chr					
						appd					
sheet index	revision sheet								cage code	22526	

Tous droits strictement reserves. Reproduction ou communication a des tiers interite sous quelque forme que ce soit sans autorisation ecrite du proprietaire. Propriete de c FCI. Droits de reproduction FCI.

All rights strictly reserved. Reproduction or issue to third parties in any form, whatever is not permitted without written authority from the proprietor. Property of FCI. Copyright FCI.

Tous droits strictement reserves. Reproduction ou communication a des tiers interdite sous quelque forme que ce soit sans autorisation écrite du propriétaire. Propriete de c FCI. Droits de reproduction FCI.

All rights strictly reserved. Reproduction or issue to third parties in any form whatever is not permitted without written authority from the proprietor. Property of FCI. Copyright FCI.

74355-XYZZ

KEY POSTION (NOTE 7)

- STD NO KEY	(NOTE 8)
1-KEY POSTION 1	(NOTE 7)
2-KEY POSTION 2	(NOTE 7)

COLOR

01	LIGHT GRAY
02	OFF WHITE
03	DARK GRAY
04	BLACK
05	SLATE GRAY
07	SILVER GRAY
08	PEARL WHITE
09	PEBBLE GRAY

PIN LENGTH LEY (DIM L)

0	.200/5.08
1	.130/3.30

NOTES:

- HEADER SHROUD
MAT'L: UNFILLED POLYCARBONATE,
94V-0 RATED.
- GROUND CONTACT
MAT'L: 3/4 HARD PHOS. BRONZE
PLATING: 100 MICRO"/2.54 MICRON
TO 300 MICRO"/7.62 MICRON 93/7 TIN LEAD
- SIGNAL CONTACT
MAT'L: 3/4 HARD PHOS. BRONZE
PLATING: 30 MICRO"/.76 MICRON
PALLADIUM ALLOY
WITH GOLD FLASH OVER
50 MICRO"/1.27 MICRON NICKEL
- HEADER SHIELD
MAT'L: FULL HARD BRASS
C260
PLATING: 100 MICRO"/2.54 MICRON BRIGHT
TIN OVER 50 MICRO"/1.27 MICRON NICKEL
- LOCATION DIMENSION FROM EDGE OF PCB
TO BE DETERMINED BY CUSTOMER.
- THIS ASSEMBLY IS UL RECOGNIZED PER FILE
E66906, VOL. 1, SECT 40 AND CSA
APPROVED PER MASTER FILE NO. LR 46923-162
- MUST USE PLUG OF THE SAME KEY.
KEYED PLUGS WILL MATE WITH STANDARD HEADER.
- OMIT 4th DIGIT FOR STD NO KEY PRODUCT



mat'l code		SEE NOTE		tolerances unless otherwise specified		CUSTOMER COPY		FCI ELECTRONICS www.fciconnect.com	
ltr	ecm no.	dr	date	linear	.XX ± .01	projection	title		
J					.XXX ± .005		2X4 LNL SHIELDED HEADER ASSEMBLY		
				angles	.XXX ± .0020		product family		code
				dr	0° ± 2°	INCH	LATCH N LOK		
				engr	T.DIAMOND 2/24/98	scale	size	family	code
				chr	B.BRUBAKER 2/24/98	2:1	74355	dwg no	
				appd	B.BRUBAKER 7/6/98		A		sheets
sheet	revision								5 of 5
index	sheet								

cage code 22526