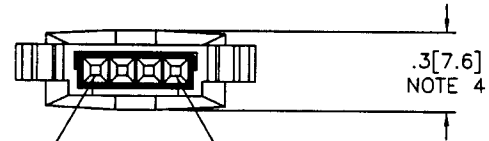
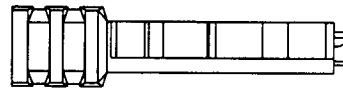
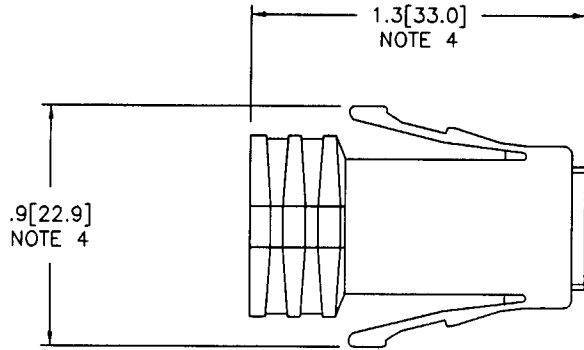


Tous droits strictement reserves. Reproduction ou communication a des tiers interdite sous quelque forme que ce soit sans autorisation écrite du propriétaire. Propriete de FCI. Droits de reproduction FCI.

All rights strictly reserved. Reproduction or issue to third parties in any form whatever is not permitted without written authority from the proprietor. Property of FCI. Copyright FCI.



PRODUCT NUMBER
SEE SHT. 2



POSITION #1 POSITION #4

mat'l. code				tolerances unless otherwise specified				CUSTOMER COPY		 www.fciconnect.com	
ltr	ecn no	dr	date	linear	.XX ±.01/.3		projection		title		
A	V80972	RGD	6/8/98		.XXX ±.005/0.13				1x4 LATCH-N-LOK 360° SHIELDED PLUG CONN. KIT W/O PV'S		
B	V90510	CGC	2/11/99		.XXXX ±.0020/0.051		INCH/MM		product family LATCH-N-LOK		
C	V91512	CGC	8/10/99	angles	0° ±2°		scale		size		
D	V91916	RGD	10/7/99	dr	R.G. Draggoo	5/12/98	1:1		A 74901		
E	V92065	RGD	10/29/99	enrg	B.BRUBAKER	5/12/98			code		
F	V01017	TFG	5/15/00	chr	B.BRUBAKER	5/12/98			sheet		
G	V01093	TFG	7/6/00	appd	B.BRUBAKER	5/12/98			1 of 3		
sheet index	revision sheet	G	G	F							
		1	2	3							

ACAD

PDM: Rev:G

STATUS: Released

cage code
22526

Printed: May 18, 2002

Tous droits strictement réservés. Reproduction ou communication à des tiers interdite sous quelque forme que ce soit sans autorisation écrite du propriétaire. Propriété de c FCI. Droits de reproduction FCI.

All rights strictly reserved. Reproduction or issue to third parties in any form whatever is not permitted without written authority from the proprietor. Property of FCI. Copyright FCI.



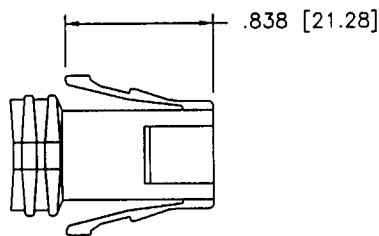
74901-6UVX

X EXTENDED LATCH OPTION

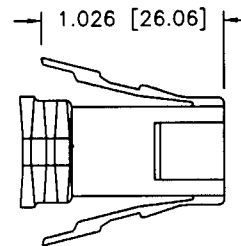
U	COLOR
01	LT GRAY
02	OFF WHITE
03	DK. GRAY
04	BLACK
05	SLATE GRAY
07	SILVER GRAY
08	PEARL WHITE
09	PEBBLE GRAY

EXAMPLE

74901-607X-IS A 1x4 REAR EXIT PLUG IN SILVER GRAY WITH A CABLE EXIT HOLE SIZE OF .200 [5.08] CABLE RANGE , ALSO WITH THE EXTENDED LATCH OPTION.



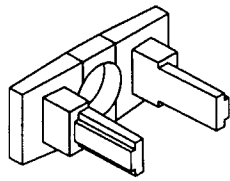
1x4 STANDARD



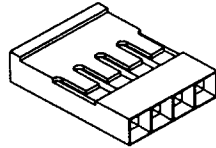
1x4 EXTENDED LATCH

mat'l. code				tolerances unless otherwise specified		CUSTOMER COPY	Electronics www.fciconnect.com
ltr	ecn no	dr	date	linear	projection		
G				.XXX ±.005/0.13		1x4 LATCH-N-LOK 360° SHIELDED PLUG CONN. KIT W/O PV'S	
				.XXXX ±.0020/0.051		product family LATCH-N-LOK	
				angles 0° ±2°	INCH/MM	code	
				dr R.G. Draggoo 5/12/98	scale 1:1	size	
				enr B.BRUBAKER 5/12/98		dwg no	
				chr B.BRUBAKER 5/12/98		74901	sheet 2 of
				appd B.BRUBAKER 5/12/98			
sheet index	revision sheet						

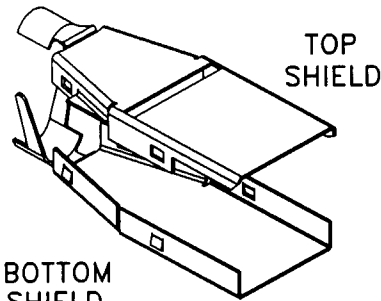
cage code 22526



REAR CAP

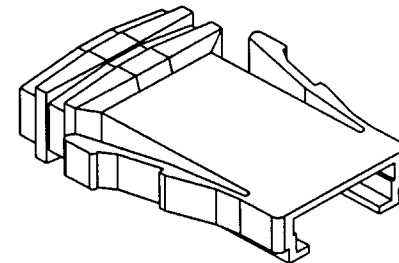


MINI LATCH HOUSING



TOP SHIELD

BOTTOM SHIELD



PLUG FRONT

NOTES:

1. EACH KIT CONTAINS ONE EACH OF THE FOLLOWING COMPONENTS
LATCH-N-LOK PLUG
LATCH-N-LOK END CAP
MINI LATCH HOUSING
360° SHIELD CANS.
2. COMPONENTS ARE BULK PACKAGED WITH 100 pcs. OF A COMPONENT PER BAG. PVC'S MUST BE ORDERED SEPARATELY.
3. MATERIALS USED: PLUGS AND CAPS ARE MOLDED IN POLYCARBONATE. THE MINI LATCH HOUSING ARE MOLDED IN NYLON. COLOR IS BLACK. THE SHIELD CAN IS 3/4 HARD BRASS PLATED WITH 2.5um MIN. BRIGHT TIN. 1.0um MIN. NICKEL UNDERPLATE.
- ④ DIMENSIONS ARE APPROXIMATE AND REFLECT PLUG IN UNLATCHED STATE.

Tous droits strictement reserves. Reproduction ou communication a des tiers interdite sous quelque forme que ce soit sans autorisation ecrite du proprietaire. Propriete de c FCI. Droits de reproduction FCI.

All rights strictly reserved. Reproduction or issue to third parties in any form whatever is not permitted without written authority from the proprietor. Property of FCI. Copyright FCI.

FCI

mat'l. code		tolerances unless otherwise specified		CUSTOMER COPY		Electronics www.fciconnect.com	
ltr	ecn no	dr	date	linear	.XX ±.01/3	projection	title
F					.XXX ±.005/0.13		1x4 LATCH-N-LOK 360 SHIELDED PLUG CONN. KIT W/O PV'S
				angles	.XXX ±.0020/0.051		
				dr	R.G. Draggoo 5/12/98	INCH/MM	product family LATCH-N-LOK
				enqr	B.BRUBAKER 5/12/98	scale	code
				chr	B.BRUBAKER 5/12/98	1:1	size
				appd	B.BRUBAKER 5/12/98	A	74901
sheet index	revision sheet						sheet 3 of

cage code
22526