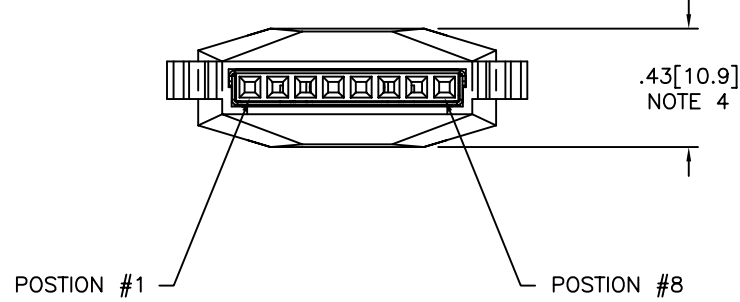
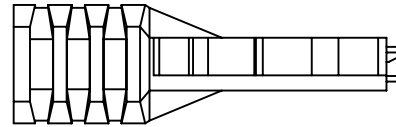
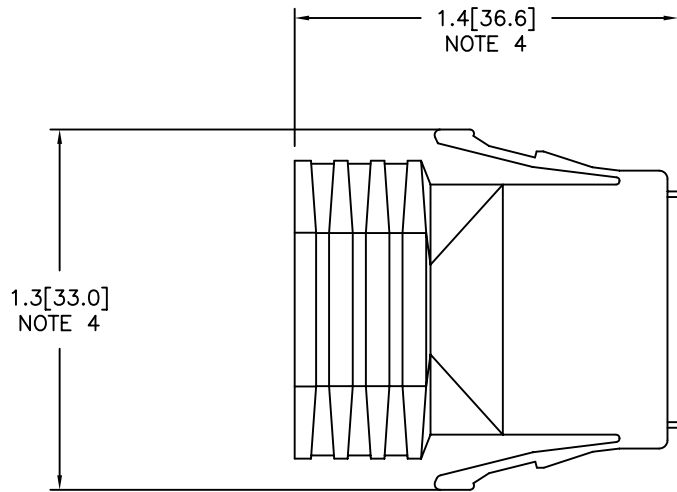


Tous droits strictement reserves. Reproduction ou communication a des tiers interdite sous quelque forme que ce soit sans autorisation ecrite du proprietaire. Propriete de c FCI. Droits de reproduction FCI.

All rights strictly reserved. Reproduction or issue to third parties in any form whatever is not permitted without written authority from the proprietor. Property of FCI. Copyright FCI.



PRODUCT NUMBER
SEE SHT. 2



mat'l. code				tolerances unless otherwise specified				CUSTOMER COPY		 www.fciconnect.com		
ltr	ecn no	dr	date	linear	.XX ±.01/.X±.3		projection	title		code		
C	91512	CGC	8/10/99		.XXX ±.005/.XX±.13			 INCH/MM	1X8 LATCH-N-LOK 360° SHIELDED		-	
D	V91916	RGD	10/7/99		.XXX ±.0020/.XXX±.051				PLUG CONN. KIT W/O PV'S		-	
E	V92065	RGD	10/29/99	angles	0° ±2'		product family LATCH-N-LOK		sheet			
F	V01017	TFG	5/15/00	dr	M.HERNANDEZ	12/03/04	size		1 of 3			
G	V01050	TFG	6/5/00	engr	M.BARRIOS	12/03/04	A		74903			
H	V01093	TFG	7/6/00	chr	M.BARRIOS	12/03/04	scale		1:1			
J	M04-0229	MHT	12/03/04	appd	M.BARRIOS	12/03/04	cage code		22526			
sheet index	revision sheet	J	J	H								

1 | 2

3 |

4

ACAD

PDM: Rev:J

STATUS: Released

Printed: Jan 07, 2005

74903-TUVLF

U	COLOR
01	LT GRAY
02	OFF WHITE
03	DK. GRAY
04	BLACK
05	SLATE GRAY
07	SILVER GRAY
08	PEARL WHITE
09	PEBBLE GRAY

T	HOLE DIA.
7	.265/6.73
9	.312/7.92

EXAMPLE

74903-707LF: IS A 1x8 REAR EXIT PLUG
IN SILVER GRAY WITH A CABLE EXIT
HOLE SIZE OF .265 [6.73] CABLE RANGE ,

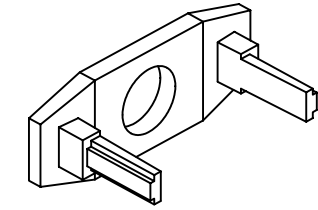
Tous droits strictement reserves. Reproduction ou communication a des tiers interdite sous quelque forme que ce soit sans autorisation ecrite du proprietaire. Propriete de c FCI. Droits de reproduction FCI.



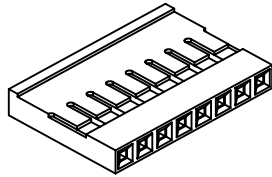
All rights strictly reserved. Reproduction or issue to third parties in any form whatever is not permitted without written authority from the proprietor. Property of FCI. Copyright FCI.

mat'l. code				tolerances unless otherwise specified				CUSTOMER COPY		 www.fciconnect.com	
ltr	ecn no	dr	date	linear	.XX ±.01/.X±.3			projection	title		
J					.XXX ±.005/.XX±.13				1X8 LATCH-N-LOK 360° SHIELDED PLUG CONN. KIT W/O PV'S		
					.XXXX ±.0020/.XXX±.051				product family LATCH-N-LOK		
				angles	0° ±2°				size		code
				dr	M.HERNANDEZ	12/03/04	A		-		
				enr	M.BARRIOS	12/03/04	scale		74903		sheet
				chr	M.BARRIOS	12/03/04	1:1				2 of
				appd	M.BARRIOS	12/03/04					
sheet index	revision sheet										

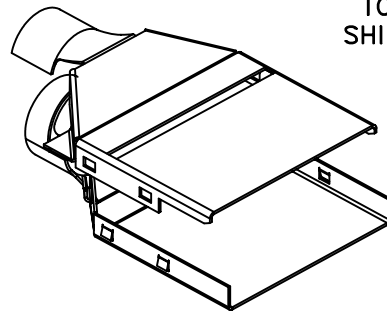
Tous droits strictement réservés. Reproduction ou communication a des tiers interdite sous quelque forme que ce soit sans autorisation écrite du propriétaire. Propriété de c FCI. Droits de reproduction FCI.



REAR CAP

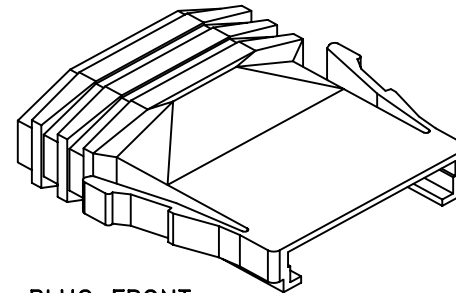


MINI LATCH HOUSING



TOP SHIELD

BOTTOM SHIELD



PLUG FRONT

NOTES:

- ① EACH KIT CONTAINS ONE EACH OF THE FOLLOWING COMPONENTS
LATCH-N-LOK PLUG
LATCH-N-LOK END CAP
MINI LATCH HOUSING
360° SHIELD CANS.
- 2. COMPONENTS ARE BULK PACKAGED WITH 100 pcs. OF A COMPONENT PER BAG. PVC'S MUST BE ORDERED SEPARATELY.
- 3. MATERIALS USED: PLUGS AND CAPS ARE MOLDED IN POLYCARBONATE. THE MINI LATCH HOUSING ARE MOLDED IN NYLON. COLOR IS BLACK. THE SHIELD CAN IS 3/4 HARD BRASS PLATED WITH 2.5um MIN. BRIGHT TIN. 1.0um MIN. NICKEL UNDERPLATE.
- ④ DIMENSIONS ARE APPROXIMATE AND REFLECT PLUG IN UNLATCHED STATE.
- 5. PART NUMBERS WITH LF IN THE END ARE LEAD FREE.
- 6. THIS PRODUCT MEETS EUROPEAN UNION DIRECTIVES AND OTHER COUNTRY REGULATION AS DESCRIBED IN GS-22-008.



All rights strictly reserved. Reproduction or issue to third parties in any form whatever is not permitted without written authority from the proprietor. Property of FCI. Copyright FCI.

mat'l. code				tolerances unless otherwise specified				CUSTOMER COPY		 www.fciconnect.com			
ltr	ecn no	dr	date	linear	.XX ±.01/.X±.3			projection	title				
H					.XXX ±.005/.XX±.13				1X8 LATCH-N-LOK 360° SHIELDED				
					.XXX ±.0020/.XXX±.051				PLUG CONN. KIT W/O PV'S				
				angles	0° ±2°			 INCH/MM	product family LATCH-N-LOK		code		
				dr	M.HERNANDEZ	12/03/04	scale		size	dwg no		sheet	
				enr	M.BARRIOS	12/03/04		1:1	A	74903		3 of	
				chr	M.BARRIOS	12/03/04							
				appd	M.BARRIOS	12/03/04							
sheet index	revision sheet												